

PRODUCT SPECIFICATIONS:

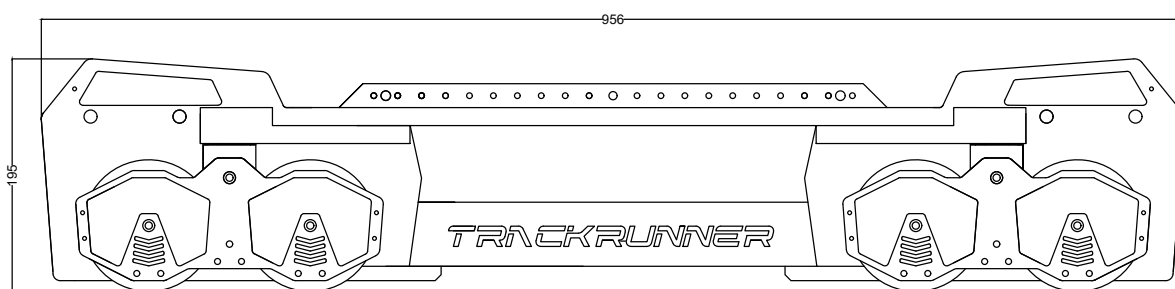
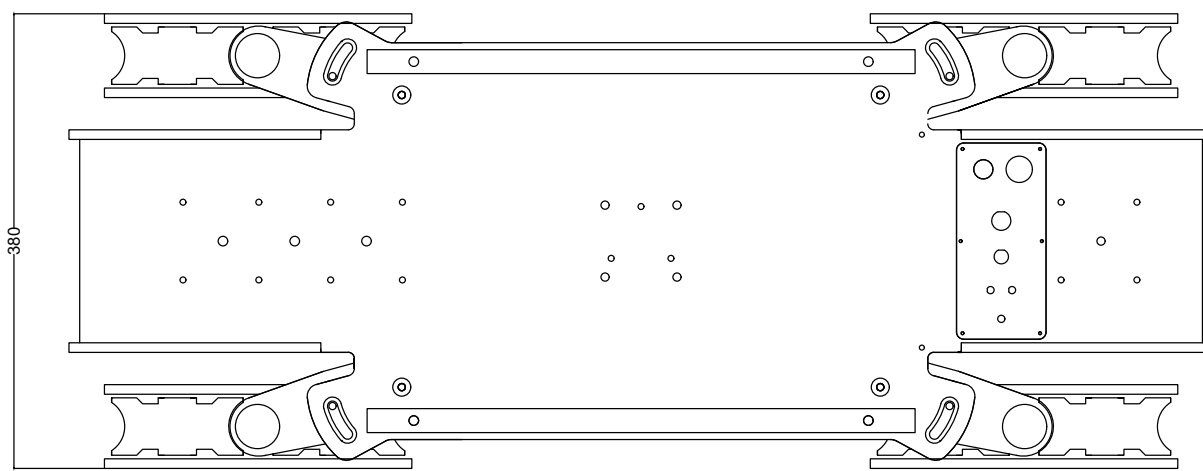
- **BODY MATERIAL:** ALUMINUM
- **MOTOR CONFIGURATION:** BRUSHLESS INDUSTRIAL SERVO MOTOR, POWER 200W
- **MECHANICS:** ELECTRIC BRAKING AND CONTROL
- **WIRELESS CONTROL:** FREQUENCY (2.4 GHZ), RANGE 1KM
- **BATTERY:** 2* SWIT HB-C420S 28,8V V-MOUNT
- **MAXIMUM SPEED:** 2 M/S (APPROX. 4.47 MPH)
- **MAXIMUM LOAD:** 42 KG (APPROX. 92.47 LBS)
- **DOLLY DIMENSIONS:** 956mm*195mm*380mm (APPROX. 37.64*7.68 *14.96 INCH)
- **TRACK WIDTH:** ADJUSTABLE 310mm TO 410mm (APPROX. 12.20 TO 16.14 INCH)
- **TURNING RADIUS:** R=300cm (R=118.11INCH)
- **WEIGHT:** 35 KG (APPROX. 77.16 LBS)
- **WATERPROOF:** NO
- **DUSTPROOF:** NO
- **MOUNT:** MITCHELL MOUNT, DJI R2 OR AS DESIRED
- **PACKAGE DIMENSIONS:** /
- **WHAT'S INCLUDED IN THE PACKAGE:** /
- **OPTIONAL:** CAN BE EQUIPPED WITH THE ZAXCSS TELESCOPIC TOWERCAM SYSTEM "LIFT 145" (BOUGHT SEPARATELY)
- **WARRANTY:** 1 YEAR

vCard



PRODUCT DIAGRAMS

DIMENSIONS (in mm):

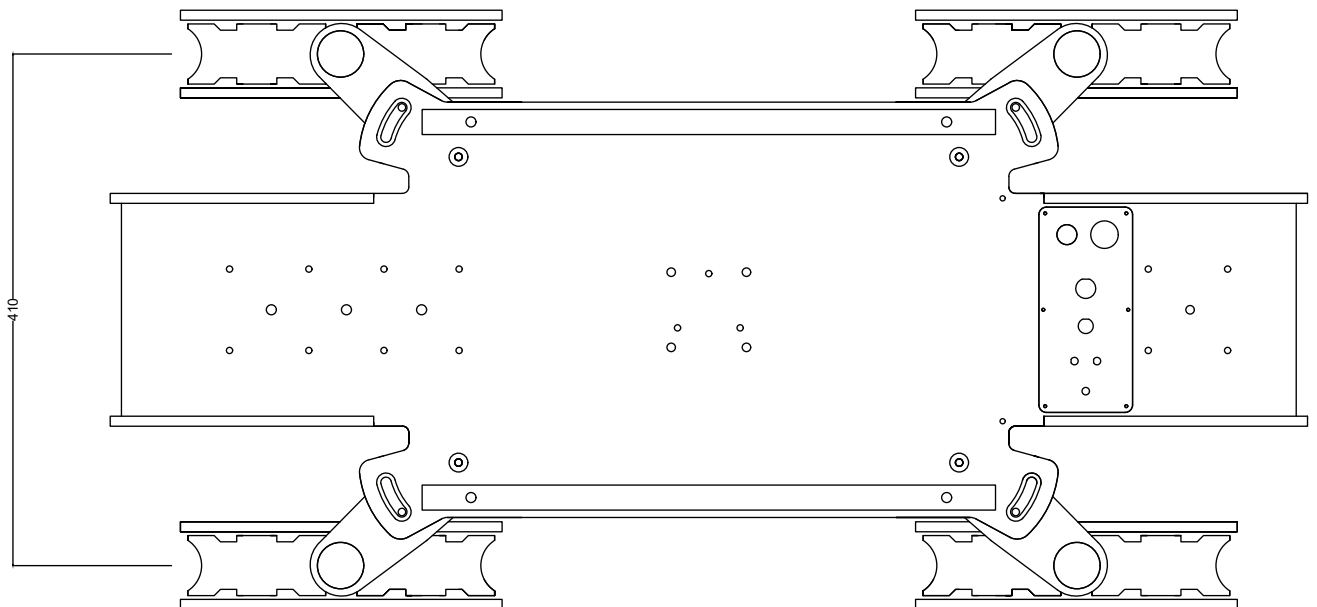
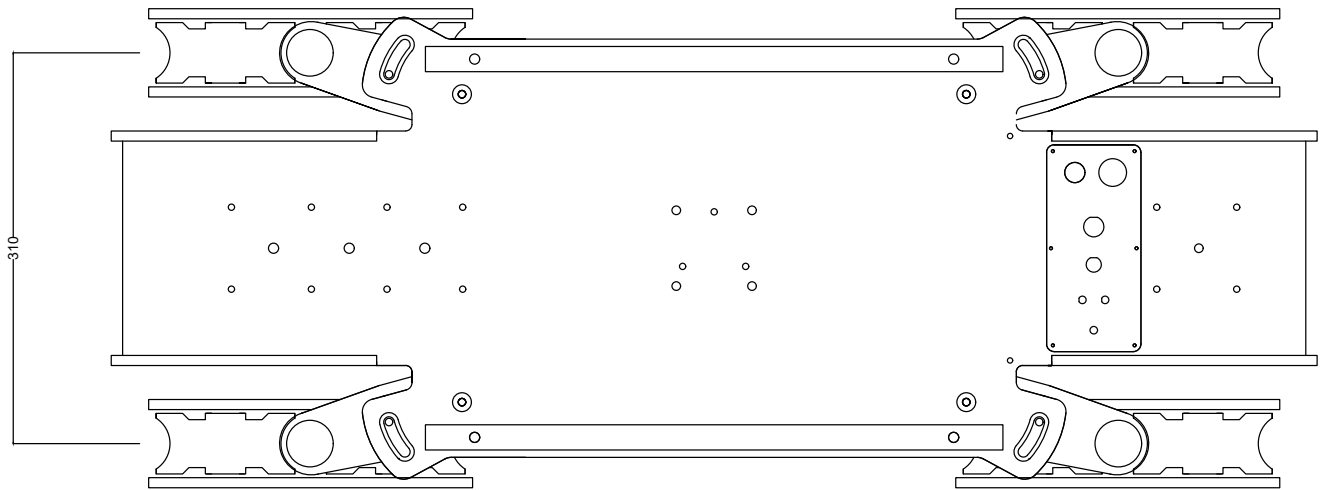


vCard



PRODUCT DIAGRAMS

TRACK WIDTH (in mm):

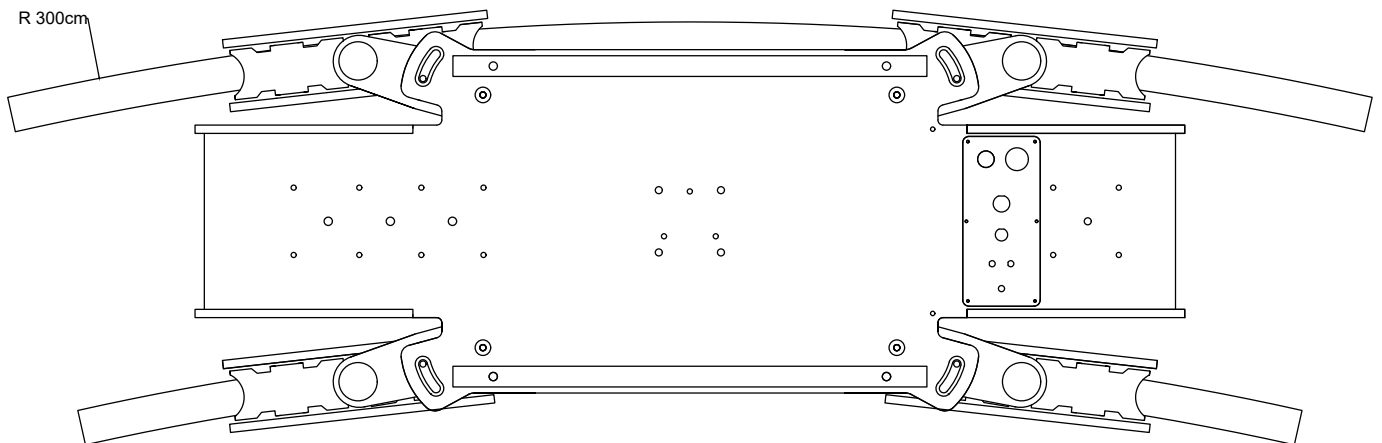


vCard



PRODUCT DIAGRAMS

TRACK TURNING RADIUS:

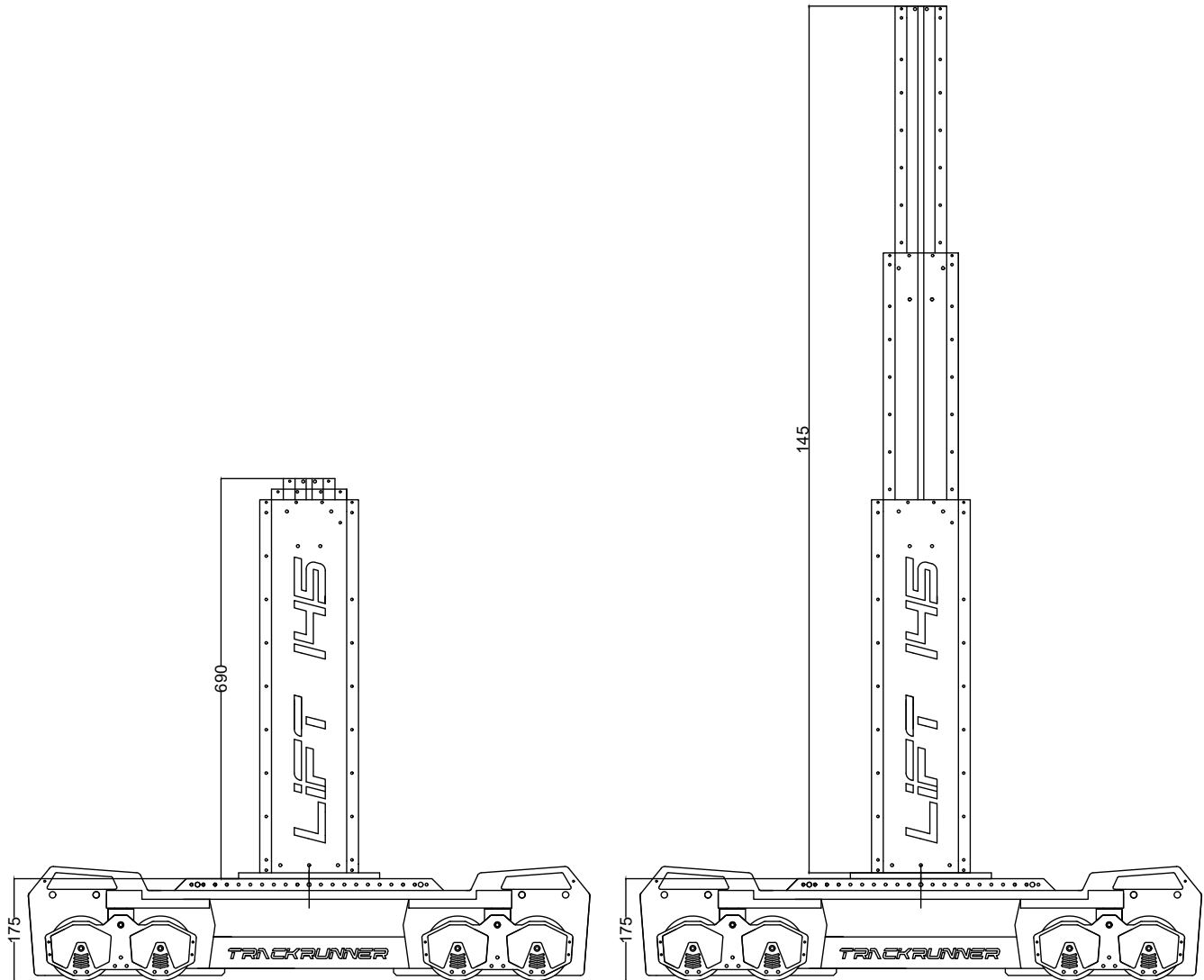


vCard



PRODUCT DIAGRAMS

TRACKRUNNER WITH "LIFT 145" (BOUGHT SEPERATELY)



vCard

